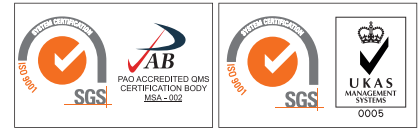




ATLANTA INDUSTRIES, INC.

est. 1978



Ver. 03 October 2018
www.atlanta.ph

ATLANTA PVC SHEET PILE

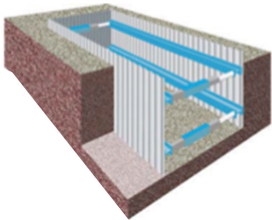
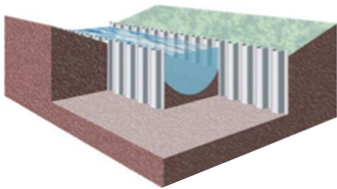
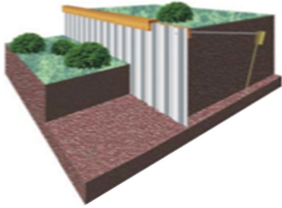
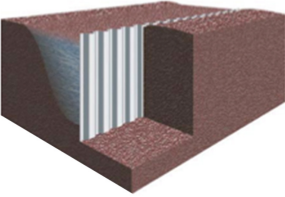
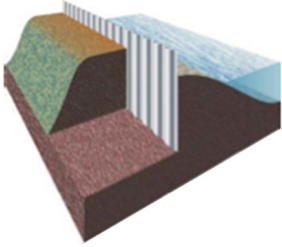
Superior Flood & Erosion Control Solutions



THE BEST VALUE IN SHEET PILES

*Environmentally Friendly • UV Resistant
Easy to Install • Long Life • Cost Effective*

APPLICATION



Atlanta PVC Sheet Pile offers tremendous value to almost any sheet piling project. Lower cost than steel concrete alternatives. Atlanta PVC Sheet Pile is strong, light-weight, long-lasting, UV and impact resistant. Atlanta PVC Sheet Pile is inert; does not rust, corrode or crack. It is build to retain its structural integrity for decades.

Flood Walls

Atlanta PVC Sheet Pile is an excellent option for flood protection walls. Either as a stand-alone wall, or to increase the height of an existing dike or in a terraced multi-wall system, Atlanta PVC Sheet Pile is a cost effective solution for protecting flood prone areas.

Cut-Off Walls (Seepage)

Atlanta PVC Sheet Pile can be used quite effectively to control the flow and seepage of subterranean fluid. Many applications, from the protection of structures, to the containment of landfill effluent to wetlands management, can effectively utilize the pvc sheet piling to create a barrier to underground fluid migration.

Retaining Walls

Atlanta PVC Sheet Pile can be used as a retaining wall, either as a single wall or as a series to terrace a sloped surface, allowing more effective utilization of the land. Especially in applications where aesthetics are important. The retaining walls provide a superior alternative to steel or wood.

Canal Containment

Managing and controlling water resources via canal structures is becoming more important in many areas. Atlanta PVC Sheet Pile to create a barrier to underground fluid migration.

Permanent Shoring

Atlanta PVC Sheet Pile can be used temporary or permanent shoring for construction excavations.

ADVANTAGES

Cost

Atlanta PVC Sheet Pile is much lower cost than any alternatives.

Weight

Atlanta PVC Sheet Pile is much lighter and easier to ship and handle than any alternative.

Resistance To Corrosion

Unlike steel, Atlanta PVC Sheet Pile will never rust.

Resistance To Chemical & Sea Water Environment

Atlanta PVC Sheet Piles can be used in high salinity conditions and many other corrosive environments.

Resistance To Cracking

Unlike concrete, the wall will not crack or spall over time.

Locks

Atlanta PVC Sheet Pile Locks are designed to allow the sheets to slide together smoothly, but remain locked together under load. It is possible to seal the locks to completely prevent moisture penetration.

Aesthetics

Atlanta PVC Sheet Pile will maintain their appearance for many decades, unlike alternative materials.

Installation

Atlanta PVC Sheet Pile installs easily, using equipment and techniques commonly available.

Design Flexibility

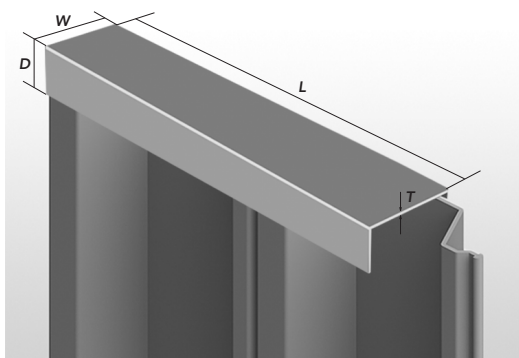
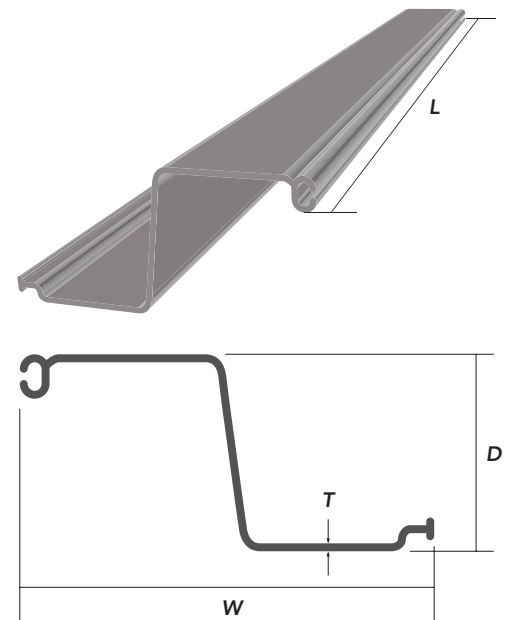
Graceful curves are possible, as well as clean, sharp corners, depending upon the project requirements.

COMPARISON	Atlanta PVC Sheet Pile	Steel	Concrete	Wood
Cost	low	high	medium	low
Weight	light	heavy	extra heavy	medium
Resistance to Corrosion	high	low	n/a	n/a
Resistance to Chemical & Sea Water Environment	high	low	medium	low
Resistance to Cracking & Spalling	high	n/a	medium	low
Environmentally Friendly	yes	no	no	no
Locks	yes	yes	no	no
Aesthetics	high	low	medium	medium
Installation	easy	easy	difficult	moderate
Design Flexibility	high	high	moderate	high

PRODUCT PROFILE

	Unit	Test Method	Specification
Section Width (W)	mm		458
Section Depth (D)	mm		254
Thickness (T)	mm		10.5
Weight	kg/m		11.60
Standard Length (L)	m		12.00
Moment of Inertia	cm ⁴ /m		19,300
Section Modulus	cm ³ /m		1,480
Ultimate Moment	kg-m/m		6,780
Allowable Moment	kg-m/m		3,390
Tensile Strength	Mpa	ASTM D 638	45.0
Flexural Strength	Mpa	ASTM D 790	78.0
Modulus of Elasticity (MD)	Mpa	ASTM D 790	2,620
Notched Izod Impact Test	kg/cm	ASTM D 256	2.46
Heat Deflection Temperature	°C	ASTM D 648	70

Atlanta Vinyl Sheet Pile AGW 1810/10.5



	Dimension
Depth (D)	90 mm
Width (W)	290 mm
Thickness (T)	10 mm
Standard Length (L)	2 M

Atlanta PVC Sheet Pile Cap 290



INSTALLATION PROCEDURE

The use of Atlanta PVC Sheet Pile in any application should be done in compliance with engineering plans, drawing, and documentation. These should be developed and submitted for the particular project by a structural engineer or designer familiar with the materials and local site conditions. The applications and installation of the product should follow precisely these design specifications.



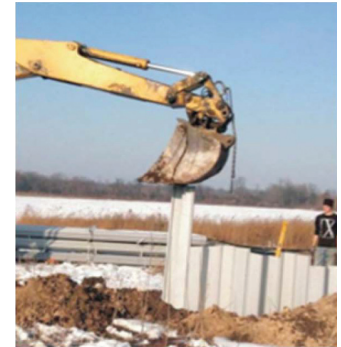
VIBRO HAMMER

A vibro hammer is used to lift the sheets and vibrate the sheets into the soil. Much lighter weight vibro hammers can be used for driving Atlanta PVC Sheet Pile than would be used for steel piling.



PLATE COMPACTOR

In areas where the soil is moderately stiff or less, a plate compactor on a backhoe can drive Atlanta PVC Sheet Pile smoothly and efficiently.



COMPRESSION DRIVING

Where the soils are very soft, simple compression driving works well to install the Atlanta PVC Sheet Pile. The bucket of a backhoe is used to exert downward pressure in the sheets, pressing them smoothly into the soil.

PROJECT PHOTOS

Project Name:

Gandara Matuganao, Samar



Project Name:

Tinambacan River, Samar

